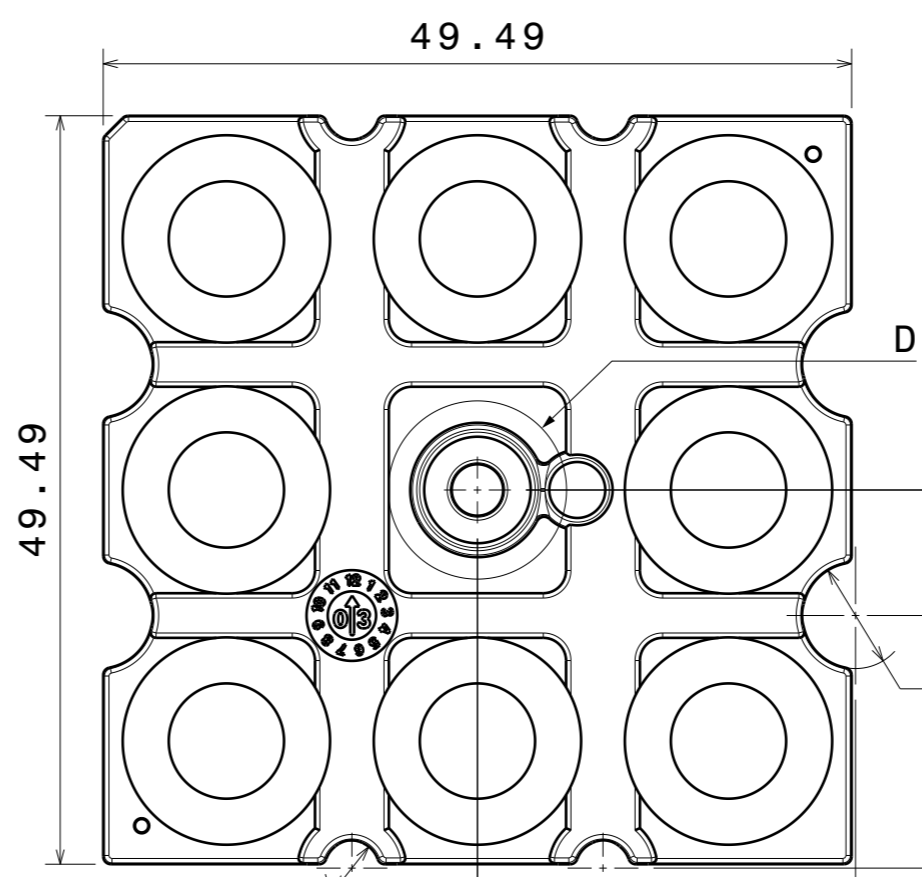
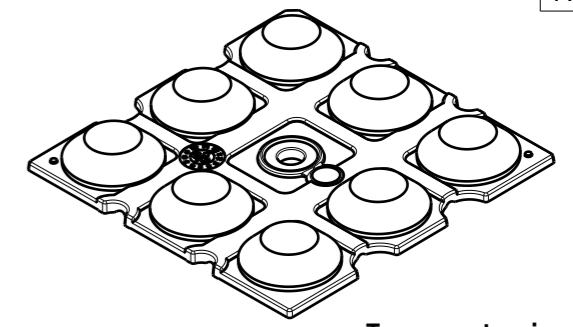


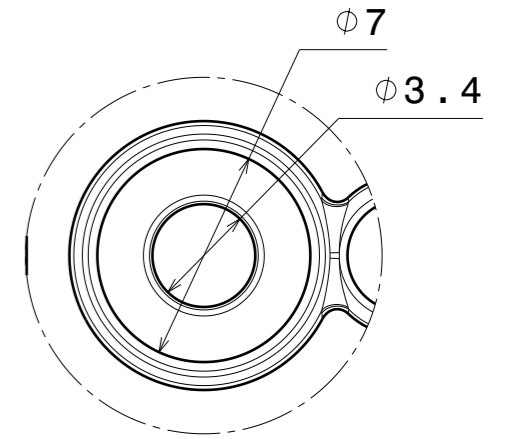
Bottom view
Scale: 2:1



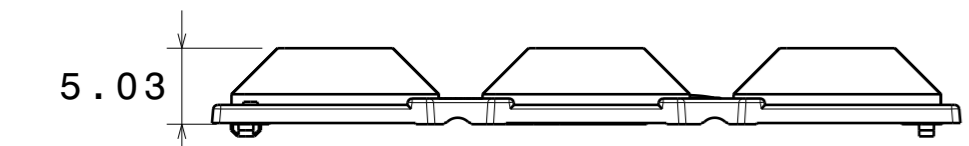
Top view
Scale: 2:1



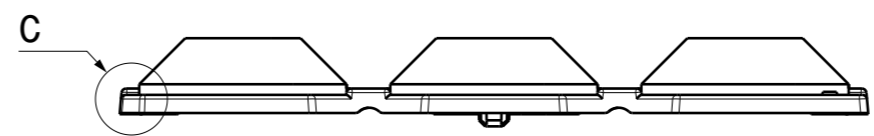
Isometric view
Scale: 1:1



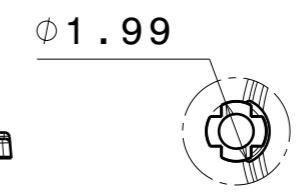
Detail D
Scale: 4:1



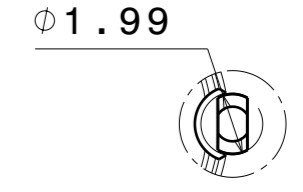
Front view
Scale: 2:1



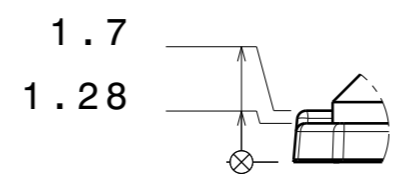
Left view
Scale: 2:1



Detail A
Scale: 4:1



Detail B
Scale: 4:1



Detail C
Scale: 4:1

PART	TYPE	MATERIAL	COLOR / COATING
C17270_STRADELLA-8-5050-HB-W	lens	PC	clear

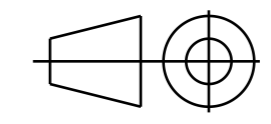
MECHANICAL DRAWING

PRODUCT
STRADELLA



Plastic moulding general tolerances according to DIN 16901-130 and applies if not otherwise shown in the drawing. Silicone moulding general tolerances according to ISO 3302-1 Class M3 and applies if not otherwise shown in the drawing.

FIRST ANGLE PROJECTION:



This drawing is the property of LEDiL Oy. It may not be copied or otherwise distributed without prior written permission from LEDiL Oy.

SCALE	2:1	WEIGHT	4,76 g	A3	SHEET 1/1
-------	-----	--------	--------	----	-----------

Notes

	PCB or heatsink level.
	LED location
	Ensure LED fitting from a product specific 3D model available from www.ledil.com
	For more details about installation please see LEDiL Installation Guide on www.ledil.com